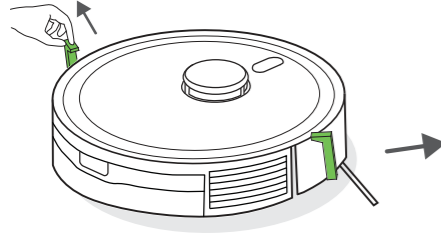
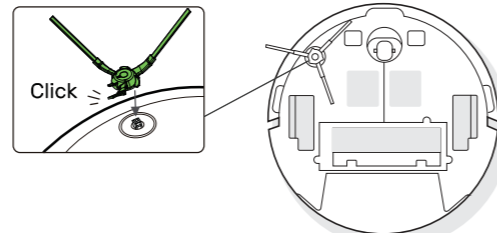


We recommend you give your robot a name

1) Remove protective items

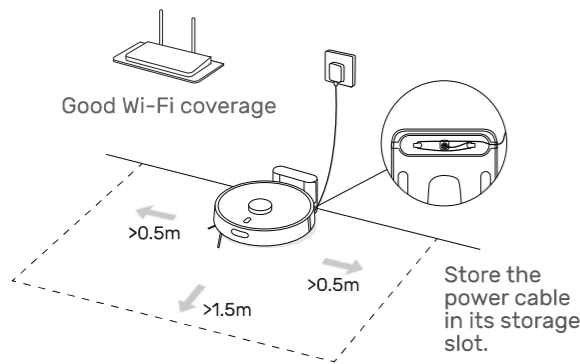


2) Install side brush



3) Place the charging base, connect the power supply and charge the robot

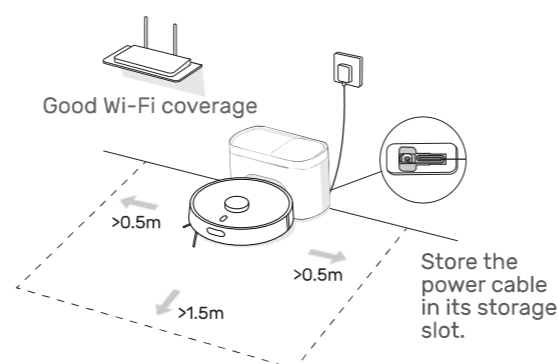
- Place the charging base on a level, non-slip, hard surface and against a wall. Connect the power cable.
- Fully charge the robot before first use.



for the model with Charging Base

⚠ Note :

- Ensure that no objects are placed within 1.5m in front of the charging base and 0.5m from both sides.
- Do not cover the signal transmitting area of the charging base with any object.



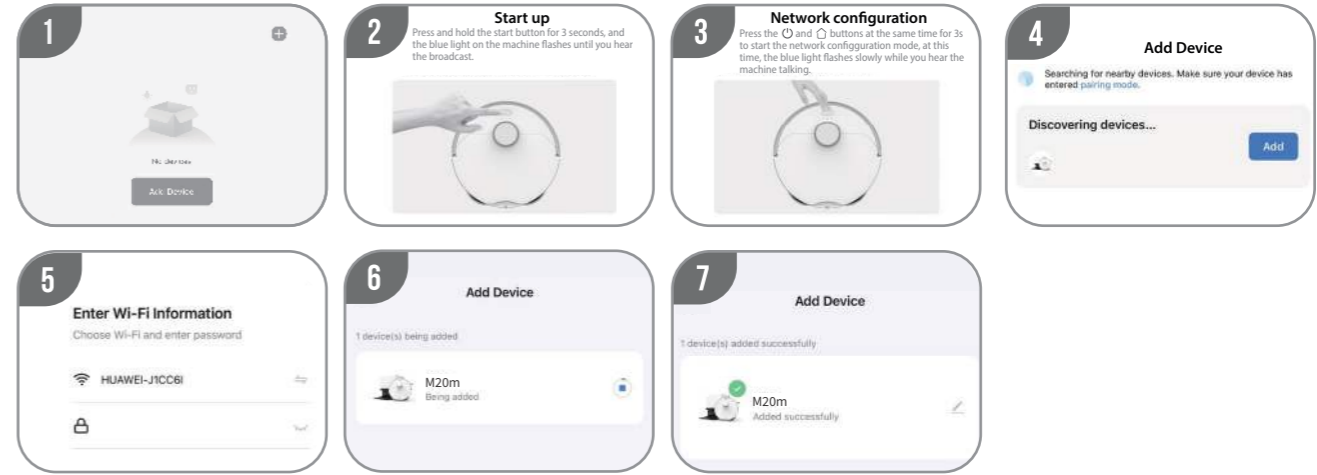
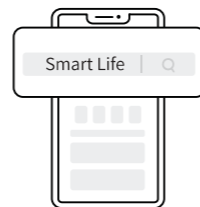
for the model with Auto-empty Charging Base

- To avoid recharging failure caused by position change, do not put the charging base on a carpet or blanket.
- To return to the charging base smoothly after cleaning, it is recommended to start cleaning from the charging base. Do not move the charging base during cleaning.

4) Connect to mobile client

Network Configuration Quick Guide

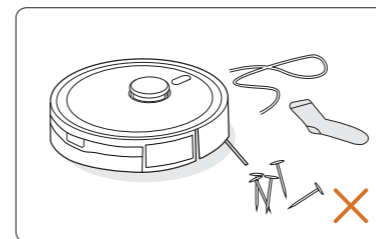
- 1 Download APP by scanning the QR code.
- 2 Download the APP by searching "Smart Life" on "APP Store" or "Google Play".



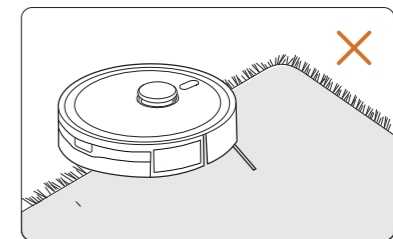
5) Start cleaning

- 1 For optimal use your robot can map your house and divide rooms
- 2 Open all internal doors and pick up loose items for your first mapping session
- 3 Once it has finished your map will be available to view and edit in the app.
- 4 You can set cleaning preferences for each room and daily schedules in the app
- 5 Please consult the manual for more detailed instructions

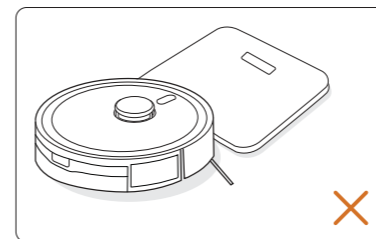
6) Important Tips Before Use



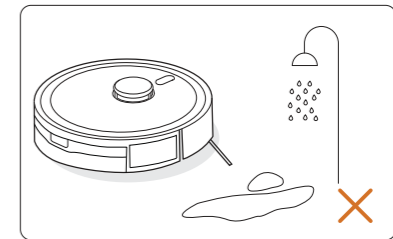
- 1 Although our robots are intelligent we recommend not leaving any dangerous items for it knock over or suck up such as wires from phone chargers or glass.



- 2 Fold the fringed edge of the decorative carpet underneath to prevent it from entangling the Robot.



- 3 The robot may climb on top of objects less than 20mm in height. Remove these objects if possible.



- 4 During cleaning, ensure that the robot is kept away from wet areas and viscous substances.

