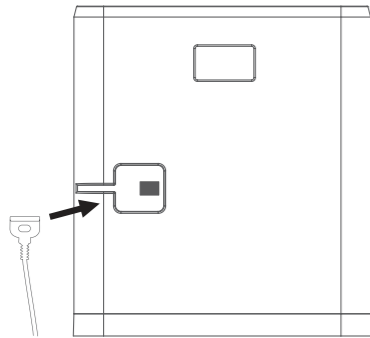
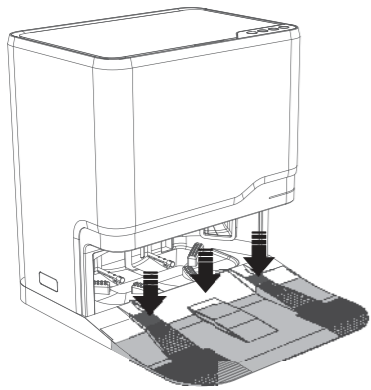


We recommend you give your robot a name

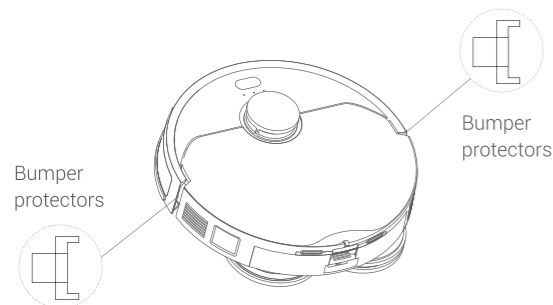
- 1 Connect Power cord and place the station in suitable location



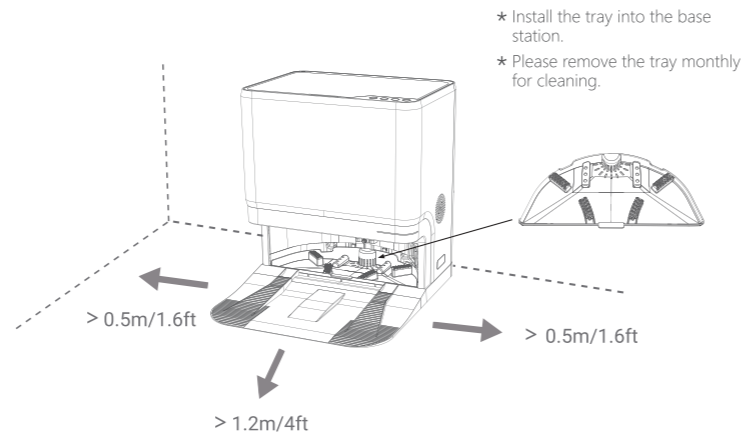
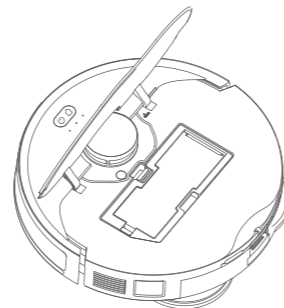
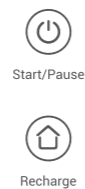
- 2 Install Station Board



- 1 Remove protectors

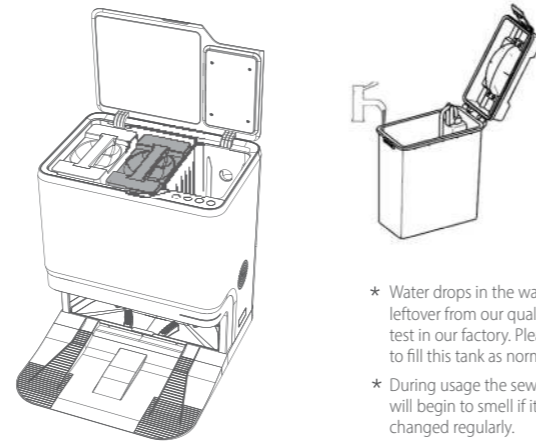


- 2 Power ON



- * Install the tray into the base station.
- * Please remove the tray monthly for cleaning.

- 3 Add water to Clean Water Tank



- * Water drops in the water tank are leftover from our quality control test in our factory. Please continue to fill this tank as normal.
- * During usage the sewage tank will begin to smell if it's not changed regularly.

Network Configuration Quick Guide



- 1 Download APP by scanning the QR code.
- 2 Download the APP by searching "Smart Life" on "APP Store" or "Google Play".

